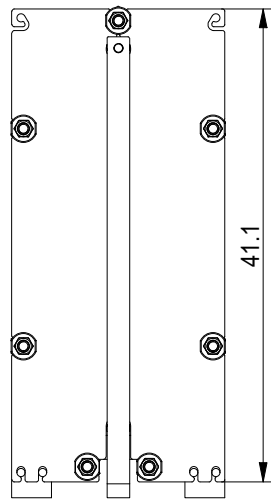
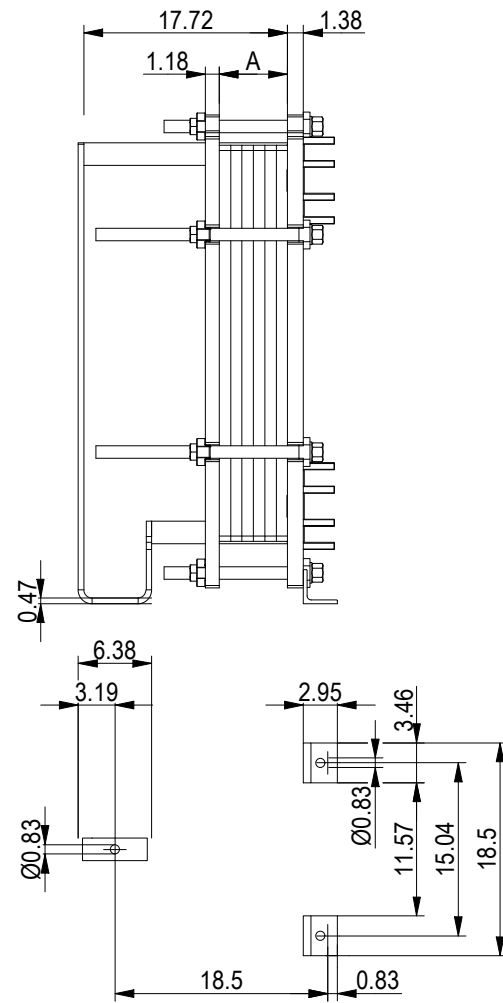


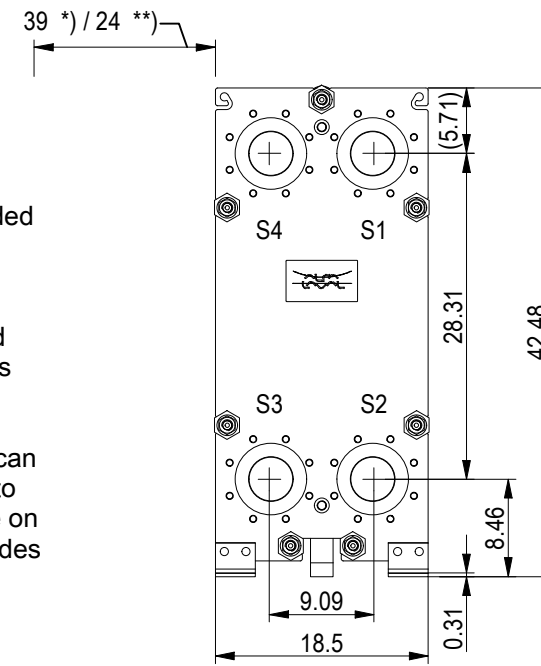
PRESSURE PLATE
(MOVABLE)



Space between pressure plate and supporting column should be kept free from fixed installations!

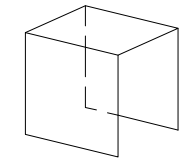
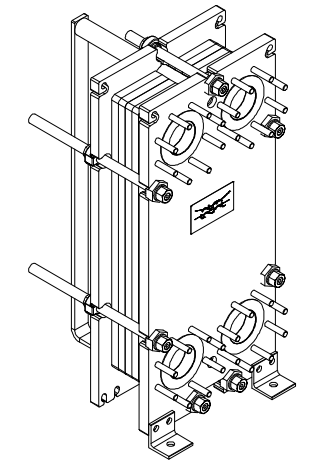


FRAME PLATE

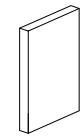


*) Recommended free space for opening and closing to be applied on both sides

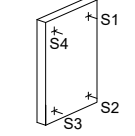
**) Free space can be reduced to this distance on one of the sides



PROTECTION SHEET



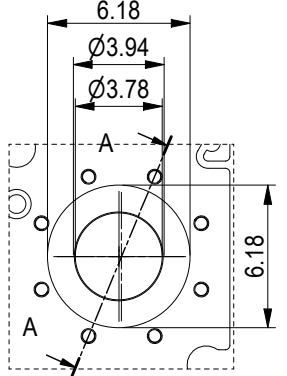
PRESSURE PLATE



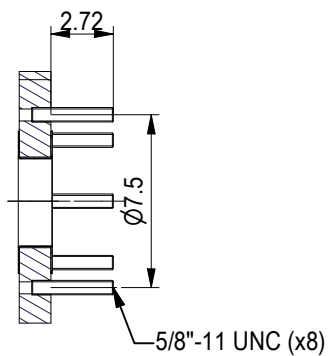
FRAME PLATE

ASME B16.5 Class 150 NPS 4

S1, S2, S3, S4



A-A:
ALLOY 316



TIGHTENING BOLTS 4 x M24, L = 18.8 in
3 x M24, L = 18.8 in

APPROX. OUTER DIMENSIONS
 LENGTH 22.4 in
 WIDTH 18.9 in
 HEIGHT 41.3 in
 APPROX. WEIGHTS
 NET WEIGHT, EMPTY 671 lb
 WEIGHT FULL OF WATER 759 lb
 PLATE MATERIAL ALLOY 316
 PLATE THICKNESS 0.5 mm
 GASKET NBRP ClipGrip™

All dimensions in inches

HEAT EXCHANGED		7,180 kBtu/h		NO. OF UNITS		1		DESIGN PRESSURE		DESIGN TEMPERATURE		TEST	OPERATING
SIDE	MEDIA	INLET	TEMP.	OUTLET	TEMP.	FLOW RATE	PRES. DROP	MAX.	MIN.	MAX.	MIN.	PRESSURE	MAX. TEMP.
1		S1	MH	S2	MH			150 psi	0 psi	266 °F	32.0 °F	195 psi	
2		S3	ML	S4	ML			150 psi	0 psi	266 °F	32.0 °F	195 psi	

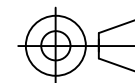


www.alfalaval.com

DRAWING
GASKETED PLATE HEAT EXCHANGER
T10-MFG

ASME
Code Section VIII Div.1

MAWP 150 psi at 266 °F
 MDMT 32.0 °F at 150 psi
 Designed and constructed in accordance with the 2019 ASME Code.



T10M 40 PL

Do not use this drawing for foundation bolting or piping layout

DATE 5/24/21
REVISION 0